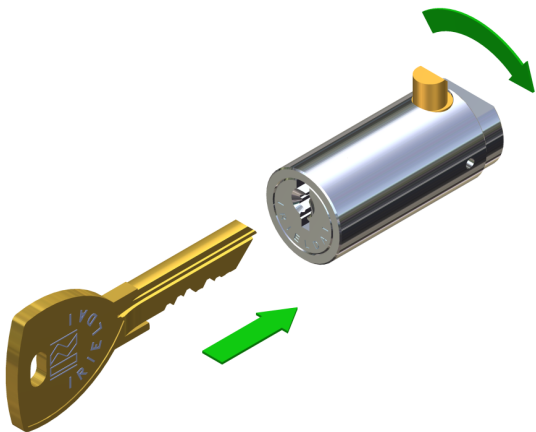
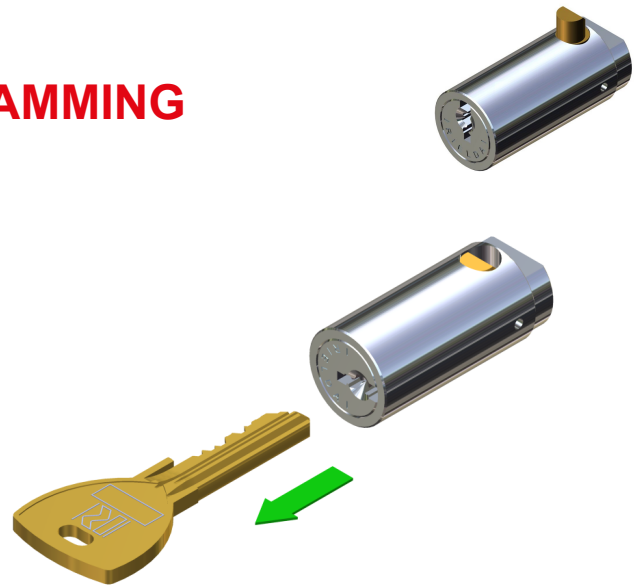


RS1 T-HANDLE LOCKS SERIES 4000

RE-PROGRAMMING



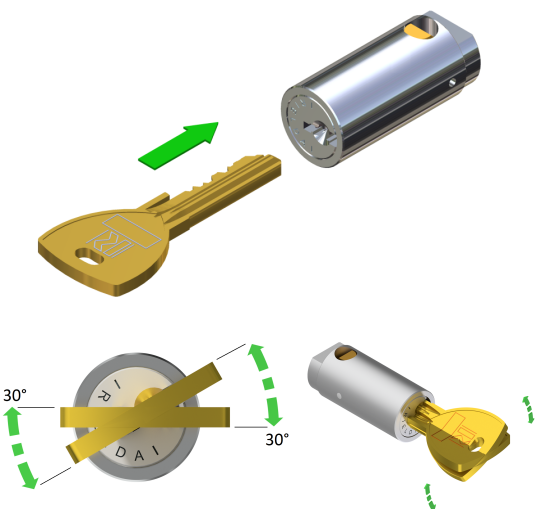
- Insert the gold programming key
- Rotate the key (from the vertical position to the horizontal position)



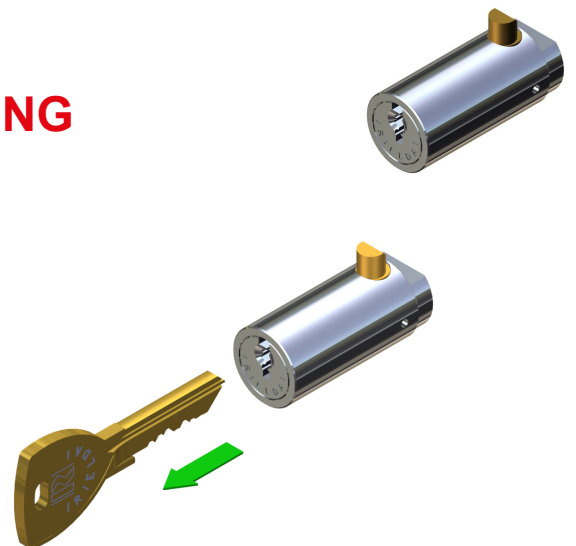
- Remove the key
- The key is now ready programmed with a new key

RS1 T-HANDLE LOCKS SERIES 4000

PROGRAMMING



- Insert the gold programming key
- Turn the gold key back and forth a few times without compenting the rotation (about 30°)
- Rotate the key to the vertical position



- Remove the key
- The key is now programmed. Put away the gold programming key in a safe place and use the silver key