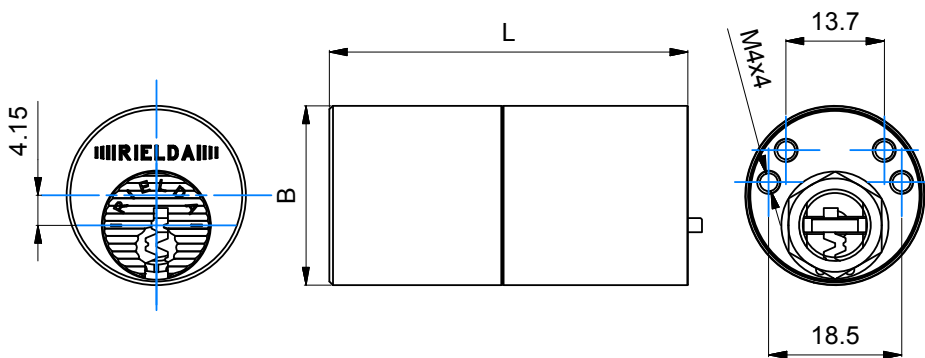
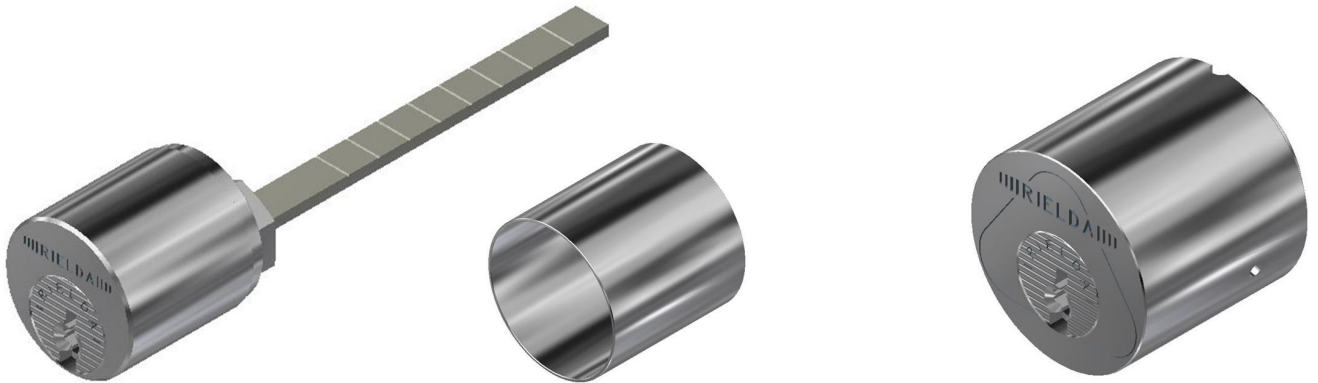
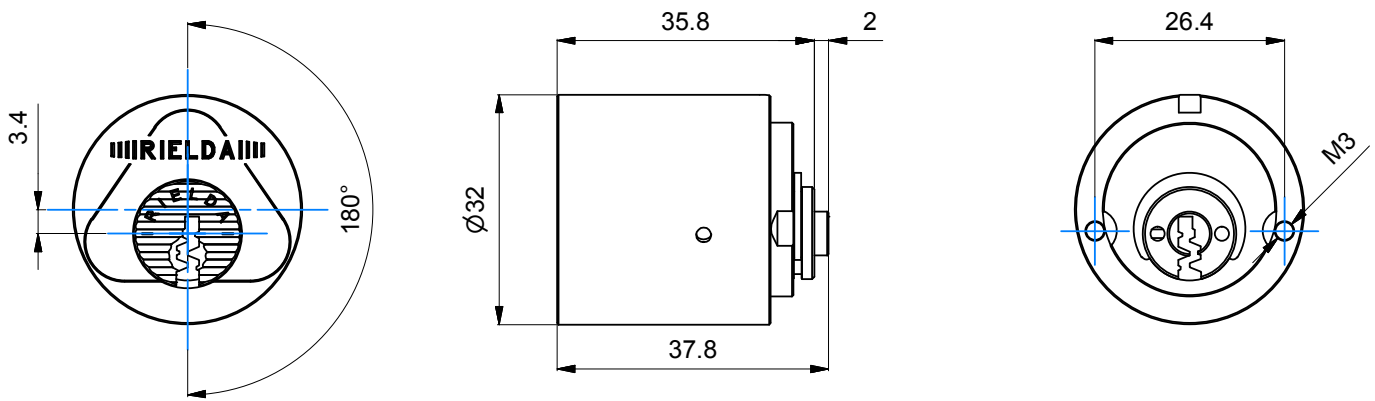


Cylinder locks series 2000 RS3 Modell 2050 RS3

Characteristics:

- mechanical re-programmable security cylinder
- made in brass whit external finish in nickel
- resistant to opening with method "bumping"
- resistant to opening with picks - "picking"
- resistant to drilling



DESCRIPTION	L	B
mod.2002-YC 50	50	25
mod.2002-YC 55	55	25
mod.2002-YC 60	60	25
mod.2002-YC 65	65	25
mod.2002-YC 70	70	25
mod.2002-YC 75	75	25
mod.2002-YC 80	80	25
mod.2002-YC 90	90	25
mod.2002-YC 100	100	25