

Series 1100

European profile cylinder lock RS7

Description

Electromechanical
Re-Programmable European
profile cylinder lock with all the
advantages of digital control for
professional applications

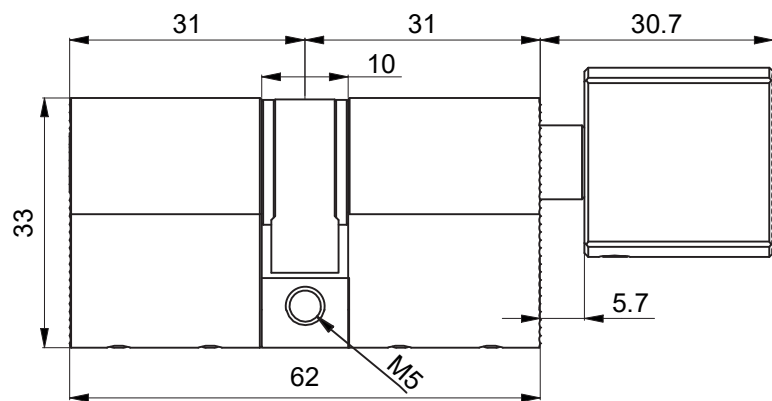


Technical specifications

- No batteries and no electrical line connections required
- Body material: brass

Resistant to:

- Bumping
- Picking
- Drilling
- Opening by shock
- Tampering
- Rotor extraction
- Electrical discharges
- Forced key opening



Available dimensions

| L | A | B |
|-----|----|----|
| 62 | 31 | 31 |
| 66 | 31 | 35 |
| 71 | 31 | 40 |
| 76 | 31 | 45 |
| 81 | 31 | 50 |
| 66 | 35 | 31 |
| 70 | 35 | 35 |
| 75 | 35 | 40 |
| 80 | 35 | 45 |
| 85 | 35 | 50 |
| 71 | 40 | 31 |
| 75 | 40 | 35 |
| 80 | 40 | 40 |
| 85 | 40 | 45 |
| 90 | 40 | 50 |
| 76 | 45 | 31 |
| 80 | 45 | 35 |
| 85 | 45 | 40 |
| 90 | 45 | 45 |
| 95 | 45 | 50 |
| 81 | 50 | 31 |
| 85 | 50 | 35 |
| 90 | 50 | 40 |
| 95 | 50 | 45 |
| 100 | 50 | 50 |

