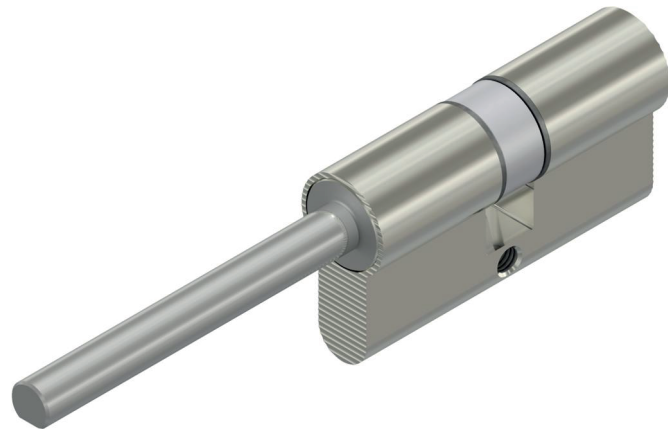


Series 1300

European profile cylinder lock RS2

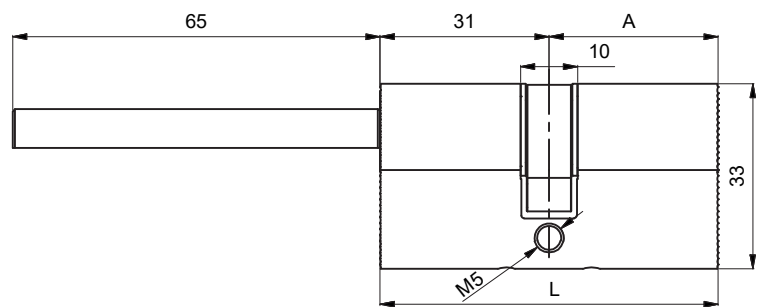
Description

Mechanically Re-Programmable
European profile cylinder lock for
professional applications



Technical specifications

- System: mechanically Re-Programmable with 7 million different keys
- Body material: brass
- Key change: 180°
- 28° inclined cam for anti-pull function

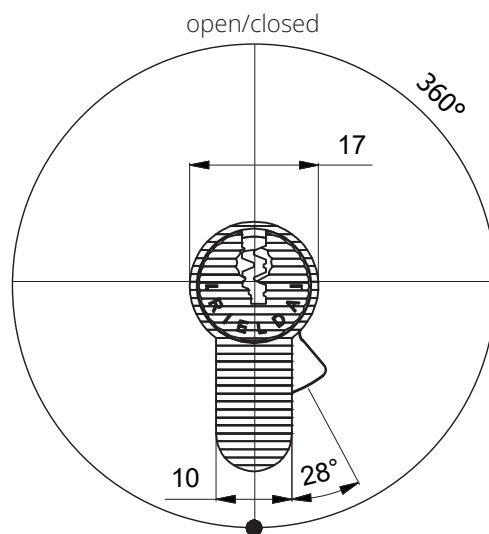


Resistant to:

- Bumping
- Picking
- Drilling

Available dimensions

L	A
127	31
131	35
136	40
141	45
146	50



RE-PROGRAMMING

