

Series 1300

European profile cylinder lock RS4

Description

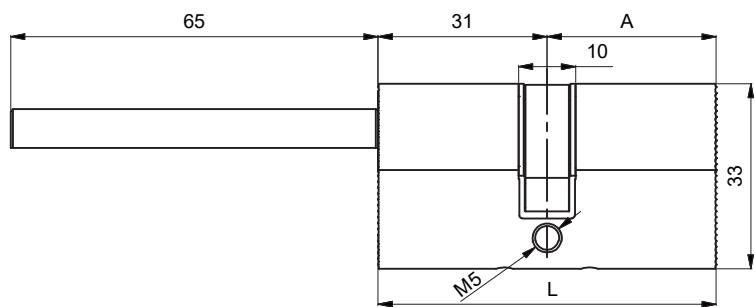
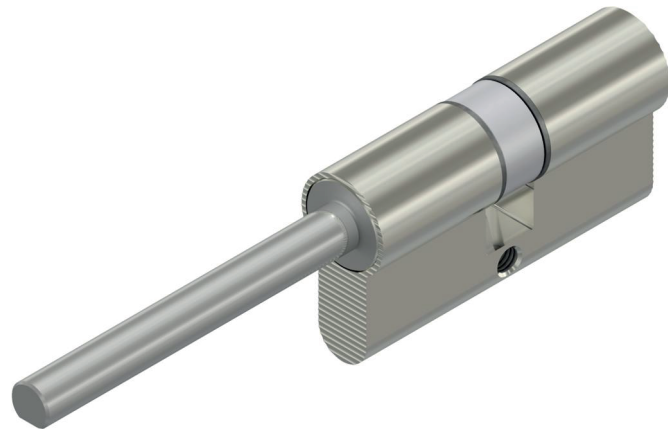
European profile cylinder lock for professional applications

Technical specifications

- Body material: brass
- 28° inclined cam for anti-pull function

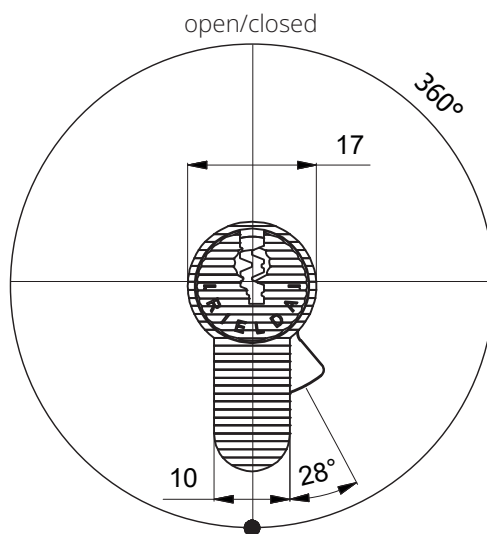
Resistant to:

- Bumping
- Picking
- Drilling

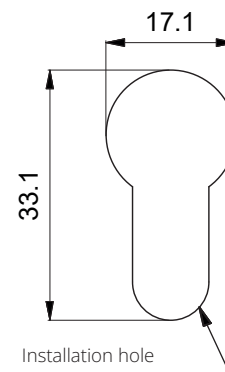


Available dimensions

L	A
127	31
131	35
136	40
141	45
146	50



RE-PROGRAMMING



Installation hole