

Series 1400

# European profile cylinder lock RS2

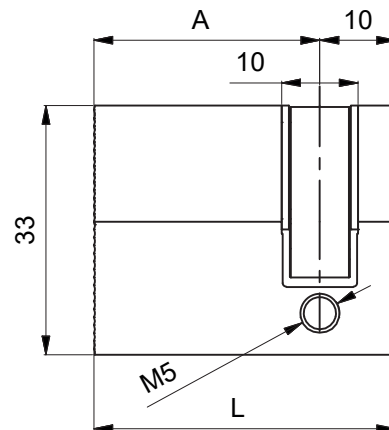
## Description

Mechanically Re-Programmable  
European profile cylinder lock for  
professional applications



## Technical specifications

- System: mechanically Re-Programmable with 7 million different keys
- Body material: brass
- Key change: 180°
- 28° inclined cam for anti-pull function

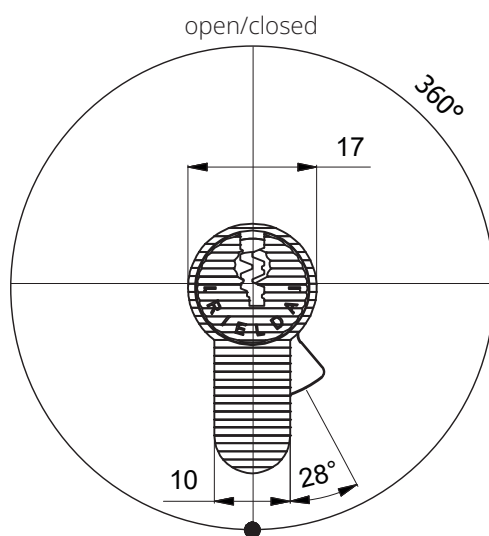


## Resistant to:

- Bumping
- Picking
- Drilling

## Available dimensions

L	A
41	31
45	35
50	40
55	45
60	50



RE-PROGRAMMING

