

Series 1400

European profile cylinder lock RS4

Description

European profile cylinder lock for professional applications

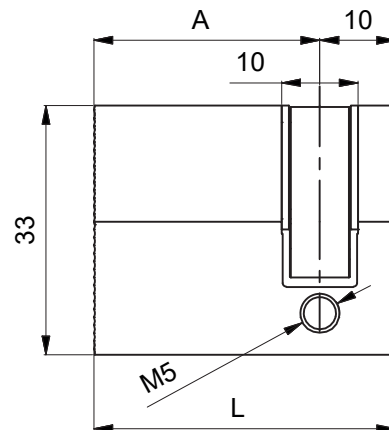


Technical specifications

- Body material: brass
- 28° inclined cam for anti-pull function

Resistant to:

- Bumping
- Picking
- Drilling



Available dimensions

L	A
41	31
45	35
50	40
55	45
60	50

