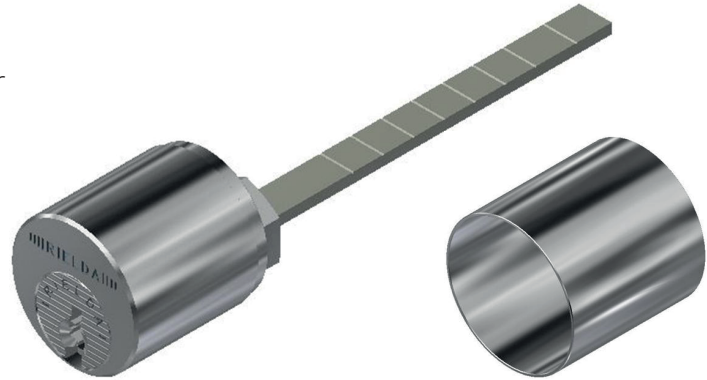


Series 2000

# Model 2002YC RS3

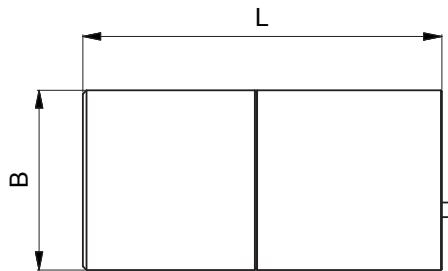
## Description

Mechanically Re-Programmable lock for professional applications



## Technical specifications

- System: mechanically Re-Programmable with 62 500 different keys
- Body material: brass



## Resistant to:

- Bumping
- Picking
- Drilling

DESCRIPTION	L	B
mod.2002-YC 50	50	25
mod.2002-YC 55	55	25
mod.2002-YC 60	60	25
mod.2002-YC 65	65	25
mod.2002-YC 70	70	25
mod.2002-YC 75	75	25
mod.2002-YC 80	80	25
mod.2002-YC 90	90	25
mod.2002-YC 100	100	25

