

Series 2000

# Model 2006 RS3

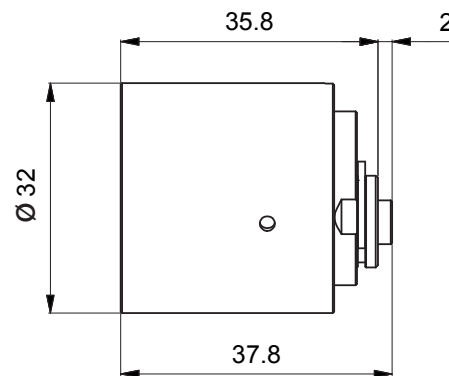
## Description

Mechanically Re-Programmable lock for professional applications



## Technical specifications

- System: mechanically Re-Programmable with 62 500 different keys
- Body material: brass
- Rotation: 180° clockwise



## Resistant to:

- Bumping
- Picking
- Drilling

