

Series 2000

Model 2017 RS1

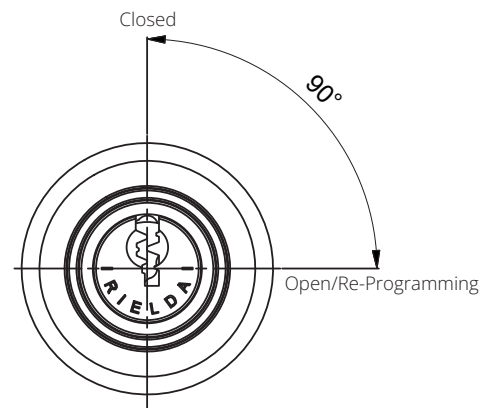
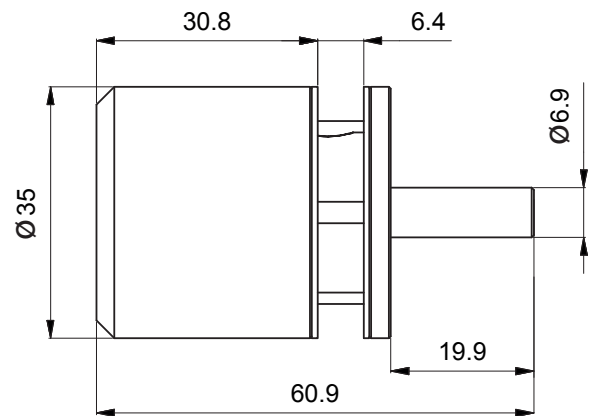
Description

Mechanically Re-Programmable lock with 90° rotation for professional applications



Technical specifications

- System: mechanically Re-Programmable with 7 million different keys
- Body material: brass
- Rotation: 90° clockwise



Resistant to:

- Bumping
- Picking
- Drilling

