

Series 2000

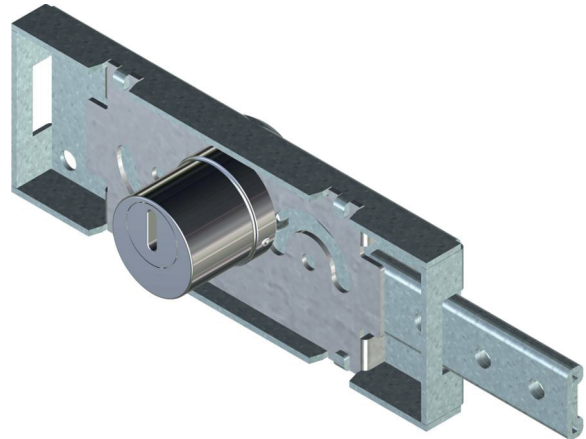
Model 2019 R RS3

Description

Mechanically Re-Programmable lock for professional applications

Technical specifications

- System: mechanically Re-Programmable with 62 500 different keys
- Body material: steel and brass



Resistant to:

- Bumping
- Picking
- Drilling

