

Series 2000

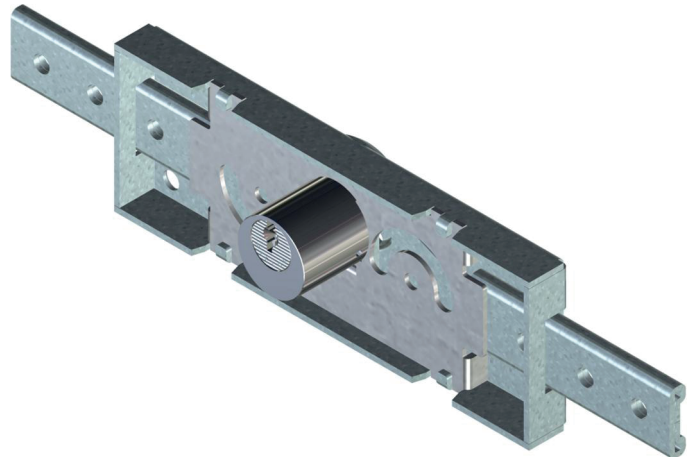
# Model 2021 CENTRAL RS3

## Description

Mechanically Re-Programmable lock for professional applications

## Technical specifications

- System: mechanically Re-Programmable with 62 500 different keys
- Body material: brass



## Resistant to:

- Bumping
- Picking
- Drilling

