

Series 2000

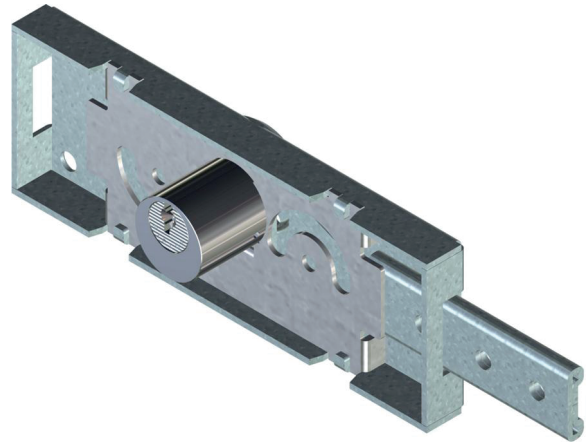
## Model 2021 R RS3

### Description

Mechanically Re-Programmable lock for professional applications

### Technical specifications

- System: mechanically Re-Programmable with 62 500 different keys
- Body material: brass



### Resistant to:

- Bumping
- Picking
- Drilling

