

Series 2000

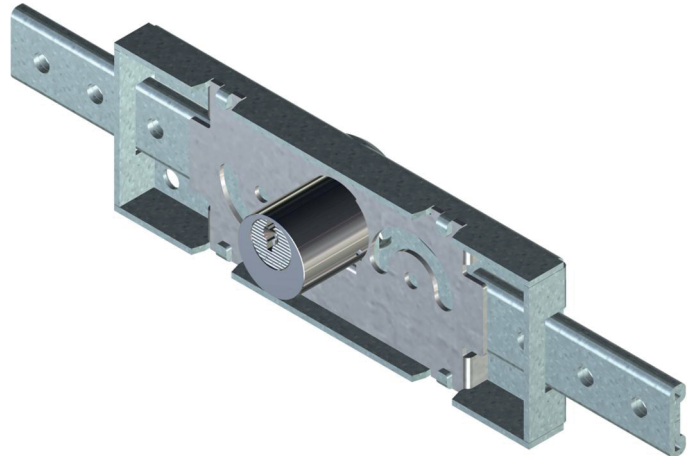
Modell 2021 L RS3

Description

Mechanically Re-Programmable lock
for professional applications

Technical specifications

- System: mechanically Re-Programmable with 62,500 different keys
- Body material: brass



Resistant to:

- Bumping
- Picking
- Drilling

