

Series 400 - 500

# Model 404D RS5

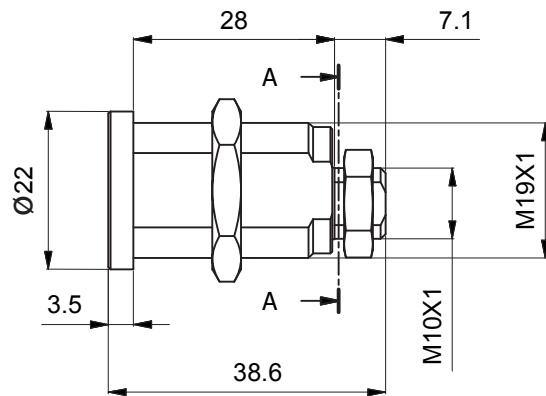
## Description

Mechanical cam lock with 90° rotation for professional applications



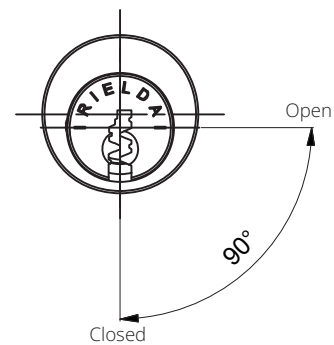
## Technical specifications

- Body material: brass
- Rotation: 90° counterclockwise



## Resistant to:

- Bumping
- Picking
- Drilling



## Installation

- Installation hole  $\varnothing$  19mm
- Thread M19 x 1
- Thread M10 x 1

