

Series 400 - 500 - 600

# Model 429HS RS1

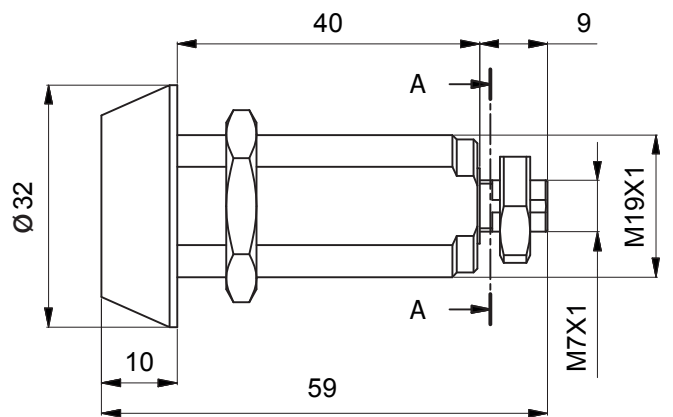
## Description

Mechanically Re-Programmable  
cam lock with 90° rotation for  
professional applications



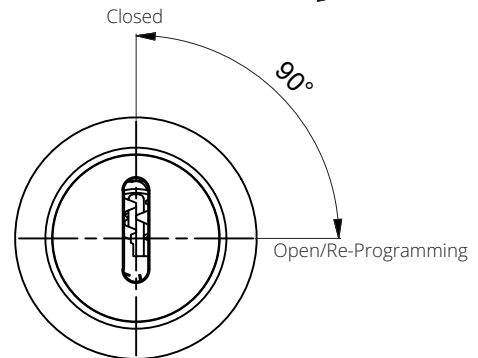
## Technical specifications

- System: mechanically Re-Programmable with 7 million different keys
- Body material: brass
- Rotation: 90° clockwise



## Resistant to:

- Bumping
- Picking
- Drilling



## Installation

- Installation hole  $\varnothing$  19mm
- Thread M19 x 1
- Thread M7 x 1

