

Series 400 - 500

# Model 446 RS5

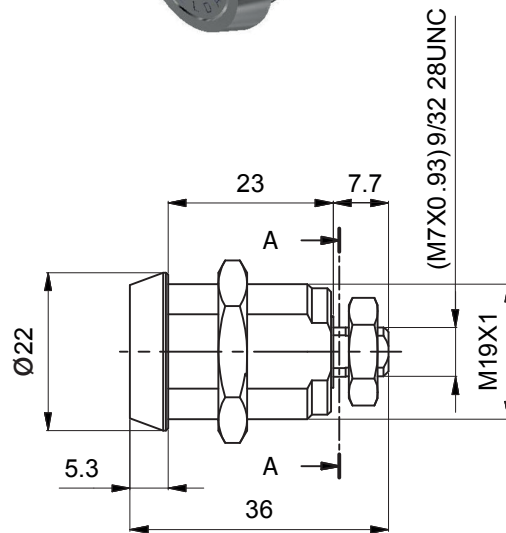
## Description

Mechanical cam lock with 90° rotation for professional applications



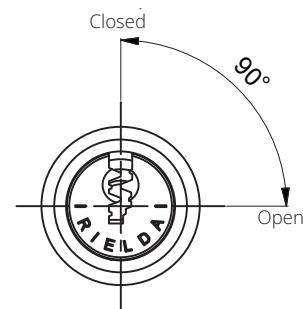
## Technical specifications

- Body material: brass
- Rotation: 90° clockwise



## Resistant to:

- Bumping
- Picking
- Drilling



## Installation

- Installation hole  $\varnothing$  19mm
- Thread M19 x 1
- Thread (M7 x 0.93) 9/32 28 UNC

