

Series 400 - 500

Model 450 RS5

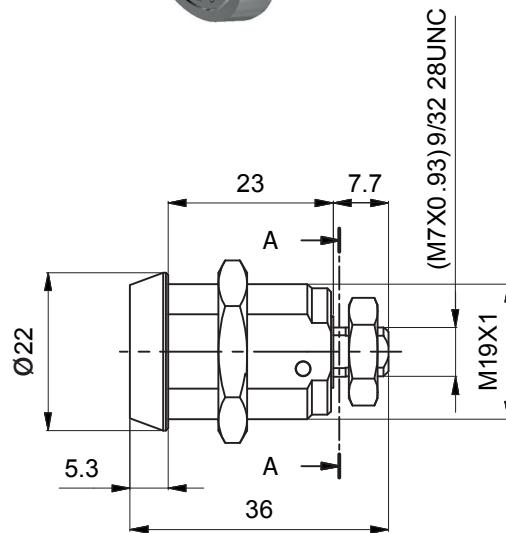
Description

Mechanical cam lock with 90° rotation for professional applications



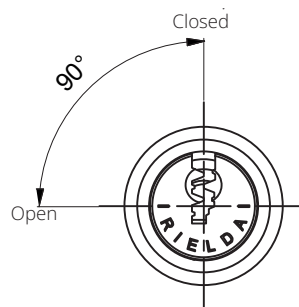
Technical specifications

- Body material: brass
- Rotation: 90° counterclockwise



Resistant to:

- Bumping
- Picking
- Drilling



Installation

- Installation hole \varnothing 19mm
- Thread M19 x 1
- Thread (M7 x 0.93) 9/32 28 UNC

