

Series 5000

Model 5003 RS3

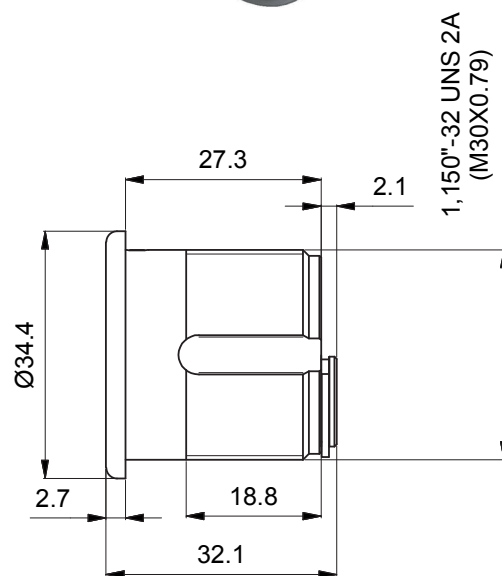
Description

Mechanically Re-Programmable lock for professional applications



Technical specifications

- System: mechanically Re-Programmable with 62 500 different keys
- Body material: brass



Resistant to:

- Bumping
- Picking
- Drilling

