

Series 400 - 500

Model 501 RS5

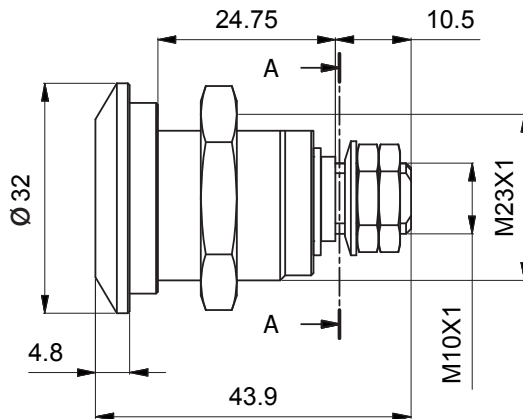
Description

Mechanical cam lock with 170° rotation for professional applications



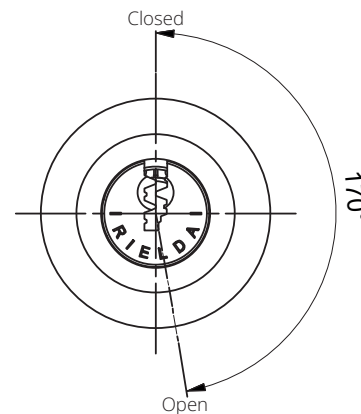
Technical specifications

- Body material: brass
- Rotation: 170° clockwise



Resistant to:

- Bumping
- Picking
- Drilling



Installation

- Installation hole \varnothing 23mm
- Thread M23 x 1
- Thread M10 x 1

