

Series 400 - 500

Model 570D RS5

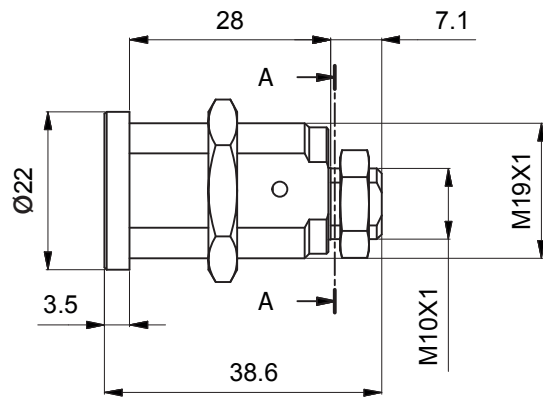
Description

Mechanical cam lock with 90° rotation for professional applications



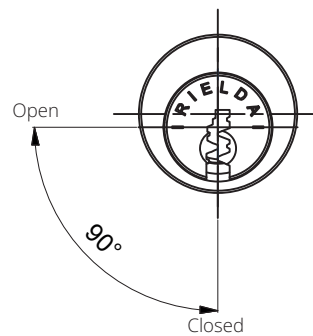
Technical specifications

- Body material: brass
- Rotation: 90° clockwise



Resistant to:

- Bumping
- Picking
- Drilling



Installation

- Installation hole \varnothing 19mm
- Thread M19 x 1
- Thread 10 x 1

