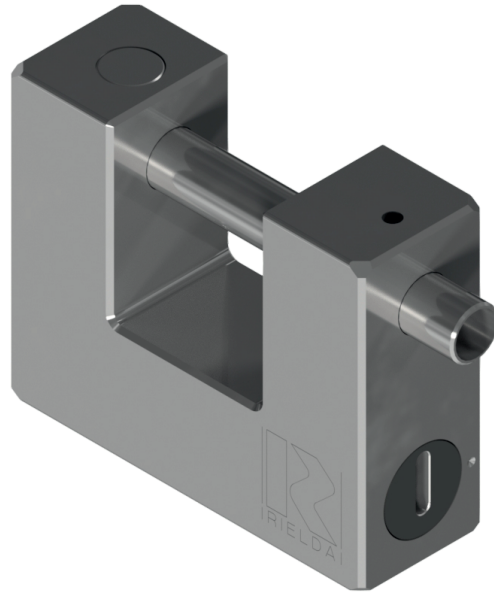


Series 800

## Model 36-12 RS3

### Description

Mechanically Re-Programmable armored padlock with 90° rotation for professional applications



### Technical specifications

- System: mechanically Re-Programmable with 62 500 different keys
- Body material: hardened steel
- Protective rotating shield
- Rotation: 90° clockwise

### Resistant to:

- Bumping
- Picking
- Drilling

