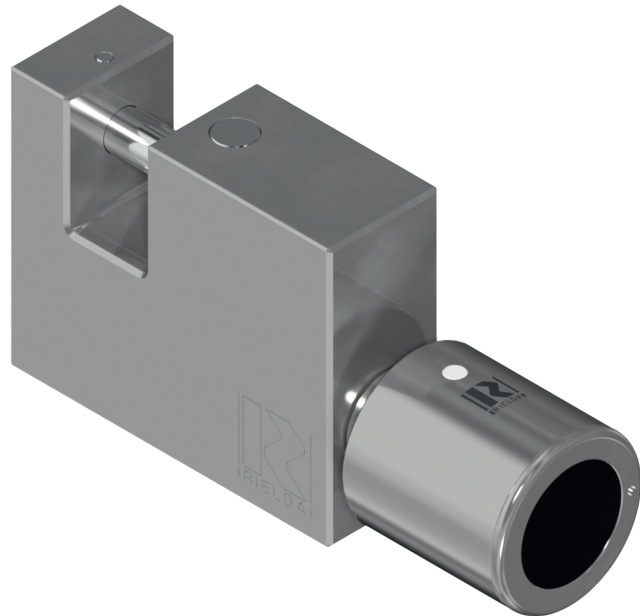


Series 800

Model 801-87 RS6

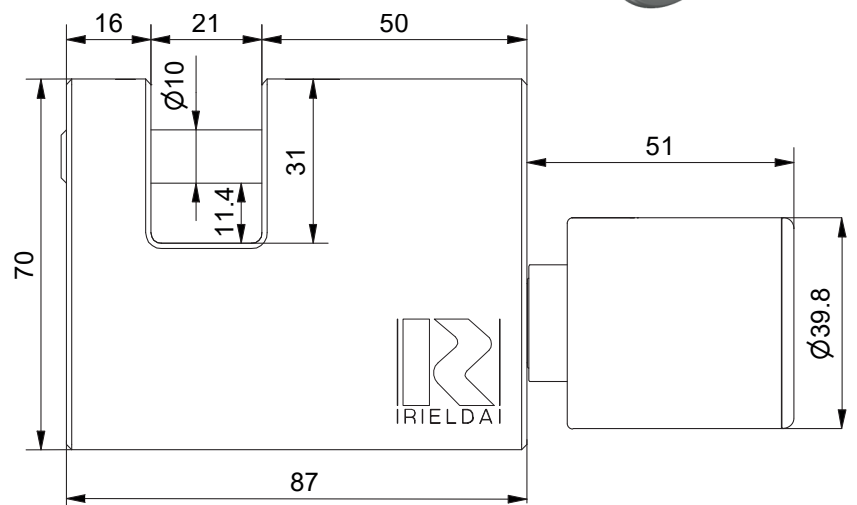
Description

Electronic Bluetooth armored padlock for centralized management and real-time access authorization via smartphone with dedicated app and software



Technical specifications

- Bluetooth Low Energy technology
- Emergency opening via binary code
- Body material: steel
- Shackle material: hardened steel
- Cloud platform
- User and permission management via software
- Real-time event log
- Temporary digital keys
- AES encryption
- Sending of temporary digital keys
- Battery powered (over 100,000 cycles)
- Installation without wiring
- Protection rating: IP68
- Rotation: 90° clockwise



Resistant to:

- Cyber attacks (AES encryption)
- Network interruption (offline operation)

