

Series SH3

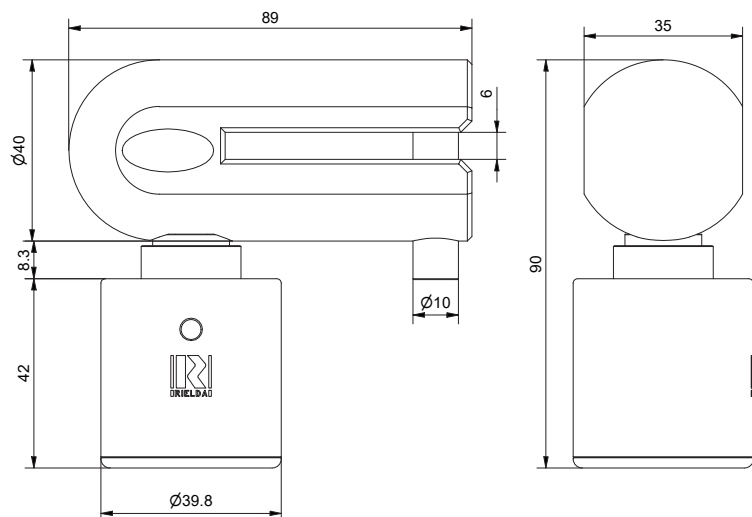
## Modello Disk Lock RS6

### Description

Electronic Bluetooth padlock for centralized management and real-time access authorization via smartphone with dedicated app and software

### Technical specifications

- Bluetooth Low Energy Technology
- Emergency opening via binary code
- Shackle material: hardened steel
- Cloud platform
- User and permission management via software
- Real-time event log
- Temporary digital keys
- AES encryption
- Sending of temporary digital keys
- Battery powered (over 100,000 cycles)
- Installation without wiring
- Protection rating: IP68
- Rotation: 90° clockwise



### Resistant to:

- Cyber attacks (AES encryption)
- Network interruption (offline operation)

